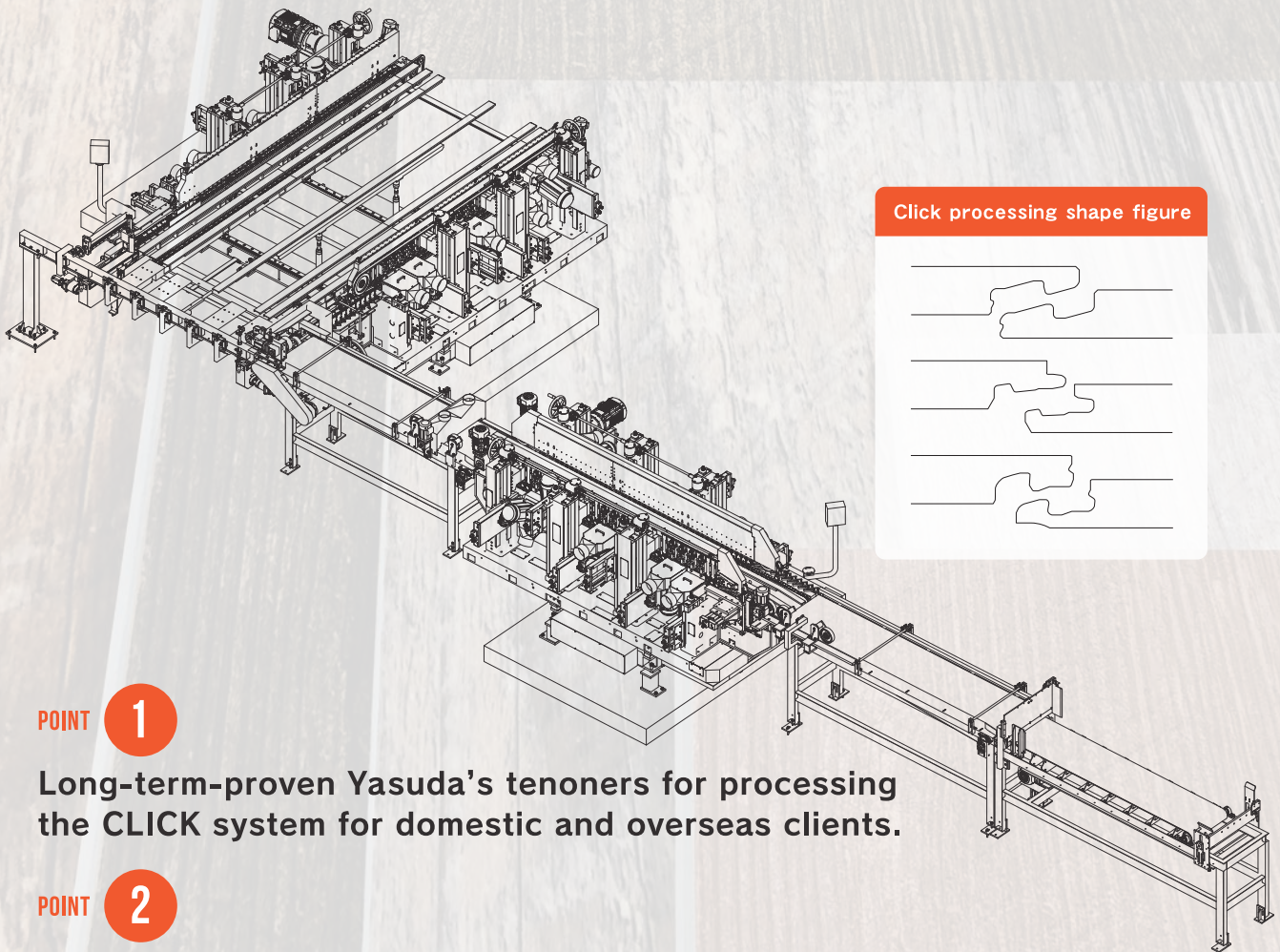


# Double End Tenoner Line for Processing the PVC/SPC/WPC Flooring



Click processing shape figure

POINT

1

Long-term-proven Yasuda's tenoners for processing the CLICK system for domestic and overseas clients.

POINT

2

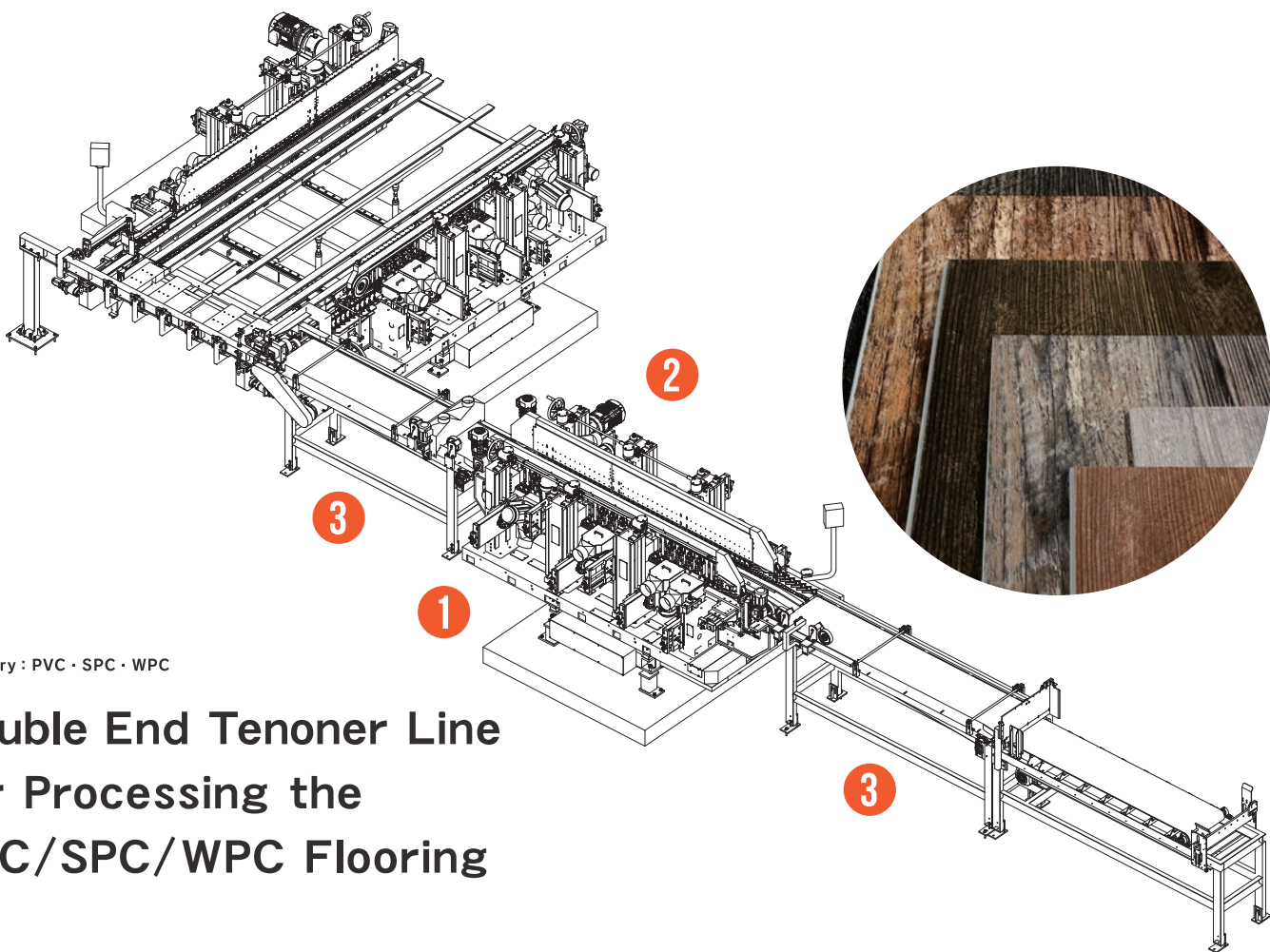
Machine specifications available not only for processing the CLICK system but also for just sizing cut and bevering.

POINT

3

Making a high processing accuracy possible with Yasuda's factory-made caterpillar chains exclusively available from Yasuda. (made in Japan, of course)



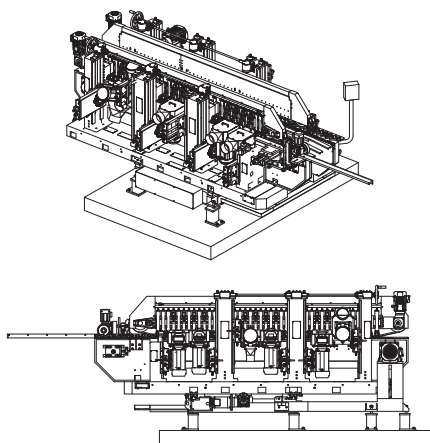


Category : PVC · SPC · WPC

## Double End Tenoner Line for Processing the PVC/SPC/WPC Flooring

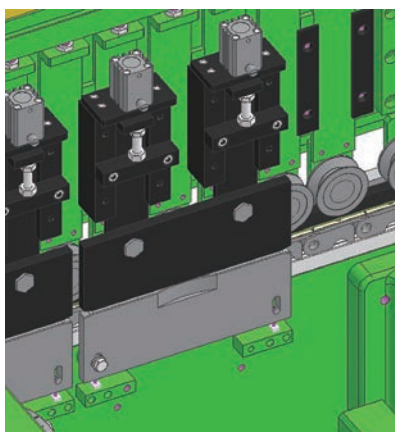
### POINT

**1** Many clients have chosen Yasuda's machines processing the CLICK system. Yasuda can offer various spindle configuration suitable for your desired machining profiles.



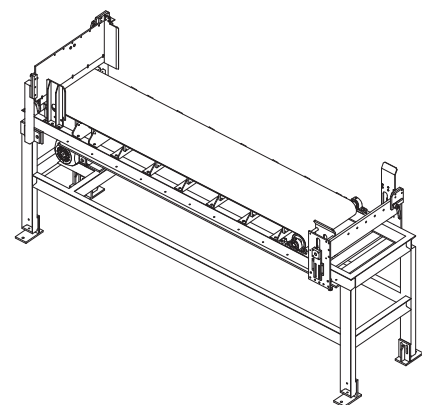
### POINT

**2** In order to secure a processing accuracy, the auxiliary hold-down and supporting units are installed for each spindle.



### POINT

**3** Not only tenoners! Yasuda also design and manufacture the induction and various intermediate conveyors in the tenoner lines.



Let us know your detailed requirement! Yasuda can provide your best machines for your production quantity and workpieces.

<http://www.yasuda-corporation.com>